

# ULTRA LED™ MR16 Lamps



## Key Features & Benefits

- Up to 90 LPW
- Dimmable down to 10%\*
- Long life up to 25,000 hours (L<sub>70</sub>)
- Color temperature available in 2700K and 3000K
- CRI: 80+
- 12V AC/DC input voltage
- Energy savings up to 87%
- Longer life than traditional halogen lamps
- No warm-up time, instant on with full light output and stable color
- Ideal for re-lamping when halogen lamps reach end of life
- Glass body with the look and feel of traditional halogen lamps\*
- Suitable for use in damp locations

\*Except 50W SP15



Long lasting, energy efficient, ULTRA LED MR16 lamps are true halogen equivalent lamps when comparing lumen output and center beam candlepower. These MR16 lamps use just 5W, 6W, 7W or 9W, are available in 15°, 25° and 35° beam angles and are high quality replacements for halogen 20W, 35W and 50W MR16 lamps. These LED MR16 lamps are available in GU5.3 base configurations and dimmable down to 10%. Lamps boast a 25,000 hours life (L<sub>70</sub>), providing 12.5 times longer life than halogen MR16 lamps, thereby reducing maintenance costs. Lamps are available in 2700K and 3000K color temperatures and 80+ CRI. These products are free of UV and IR radiation, minimizing discoloration and fading of materials.

## Product Offering

Ordering Abbreviation	Wattage	Color Temperature	Beam Angle
LED MR16	5	2700K, 3000K	25°, 35°
LED MR16	6	3000K	25°, 35°
LED MR16	7	2700K, 3000K	25°, 35°
LED MR16	9	2700K, 3000K	15°

## Application Information

### Applications

- General lighting
- Recessed downlights
- Track lighting
- Wall washer

### Market Segments

- Hospitality
- Offices
- Residential
- Restaurants
- Retail

### Application Notes

1. Operating temperature -20°C to +45°C (-4°F to 113°F)
2. Not for use with emergency light fixtures or exit lights.
3. Suitable for damp locations.
4. 5W and 6W approved for use in totally enclosed fixtures.
5. 7W and 9W not for use in totally enclosed fixtures.

This device complies with part 15 of the FCC Rules. Operation is subject to the following two conditions: (1) This device may not cause harmful interference, and (2) this device must accept any interference received, including interference that may cause undesired operation. For FCC Part 15 user information, please see [www.sylvania.com/fcc15b](http://www.sylvania.com/fcc15b)



Catalog #	Type
Project	
Comments	
Prepared by	

Ordering Information

Item Number	Ordering Abbreviation	Power (W)	Base	Replaces	Voltage	Lifetime	CCT	Lumens (lm)	CBCP (cd)	Beam Angle (°)	CRI	PF
78232	LED5MR16/DIM/827/NFL25/GL/RP	5	GU5.3	20W Halogen	12	25,000	2700K	350	975	25	81	0.93
78231	LED5MR16/DIM/827/FL35/GL/RP	5	GU5.3	20W Halogen	12	25,000	2700K	350	650	35	81	0.93
78234	LED5MR16/DIM/830/NFL25/GL/RP	5	GU5.3	20W Halogen	12	25,000	3000K	350	975	25	82	0.93
78233	LED5MR16/DIM/830/FL35/GL/RP	5	GU5.3	20W Halogen	12	25,000	3000K	350	650	35	82	0.93
78240	LED6MR16/DIM/830/NFL25/GL/RP	6	GU5.3	35W Halogen	12	25,000	3000K	450	2000	25	83	0.93
78239	LED6MR16/DIM/830/FL35/GL/RP	6	GU5.3	35W Halogen	12	25,000	3000K	450	1000	35	82	0.93
41375	LED7MR16DIM827NFL25GLRP 6/CS 1/SKU	7	GU5.3	50W Halogen	12	25,000	2700K	700	2323	25	82	0.93
41376	LED7MR16DIM827FL35GLRP 6/CS 1/SKU	7	GU5.3	50W Halogen	12	25,000	2700K	700	1315	35	82	0.93
41378	LED7MR16DIM830NFL25GLRP 6/CS 1/SKU	7	GU5.3	50W Halogen	12	25,000	3000K	700	2323	25	82	0.93
41379	LED7MR16DIM830FL35GLRP 6/CS 1/SKU	7	GU5.3	50W Halogen	12	25,000	3000K	700	1315	35	82	0.93
48056	LED9MR16DIM827SP15	9	GU5.3	50W Halogen	12	25,000	2700K	700	7000	15	80	0.93
48057	LED9MR16DIM830SP15	9	GU5.3	50W Halogen	12	25,000	3000K	700	7000	15	80	0.93

Ordering Guide

LED	X	MR16	/ DIM	/ X	XX	/ XXX	XX	/ GL	/ RP
LED Lamps and Retrofits	Wattage 5, 6, 7 or 9	Lamp Type MR16	Dimmable	CRI 8 = 80+	Color Temperature 27 = 2700K 30 = 3000K	Beam Type SP, NFL or FL	Beam Angle 15°, 25° or 35°	Glass Lamps	Retail Pack

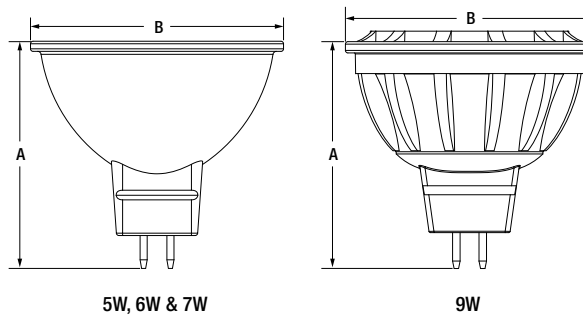
Energy Savings

Basic Product Description	LED Life (hrs.)	Similar Halogen	Halogen Life (hrs)	Watts Saved	Energy Savings*	LED Life vs. Halogen
LED MR16 5W	25,000	20W	2,000	15	\$41	12.5x
LED MR16 6W	25,000	35W	2,000	29	\$80	12.5x
LED MR16 9W	25,000	50W	2,000	41	\$112.75	12.5x

\*Energy savings over life of lamp calculated at \$0.11/kWh

Lamp Dimensions

	(A) MOL (inches)	(B) Diameter (inches)
MR16 Glass (5W, 6W & 7W)	1.73	1.96
MR16 Plastic (9W)	1.89	1.97



LEDVANCE LLC  
 181 Ballardvale Street, Suite 203  
 Wilmington, MA 01887 USA  
 Phone 1-800-LIGHTBULB (1-800-544-4828)  
 www.ledvanceUS.com

SYLVANIA and LEDVANCE are registered trademarks.  
 All other trademarks are those of their respective owners.  
 Licensee of product trademark SYLVANIA in general lighting.  
 Specifications subject to change without notice.



SCAN TO FOLLOW US  
ON SOCIAL MEDIA

